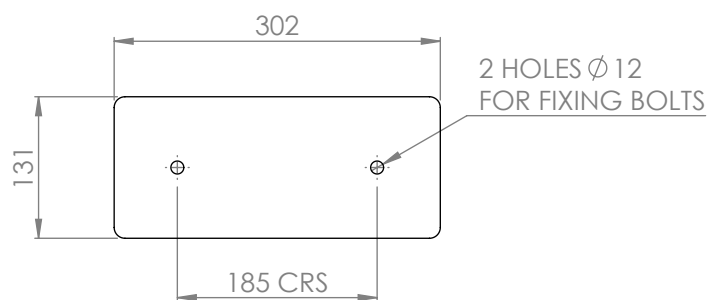
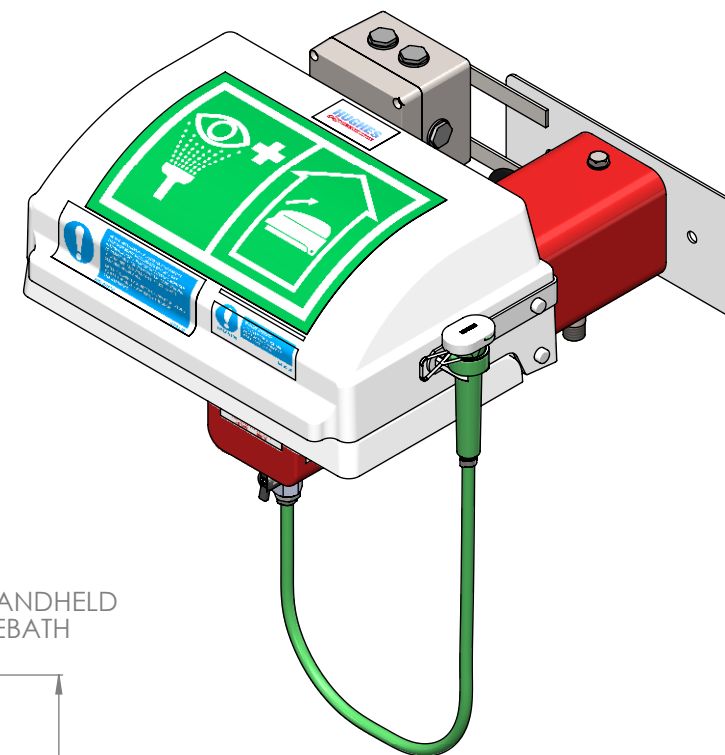


VIEW OF BASEPLATE FOR WALL MOUNTING

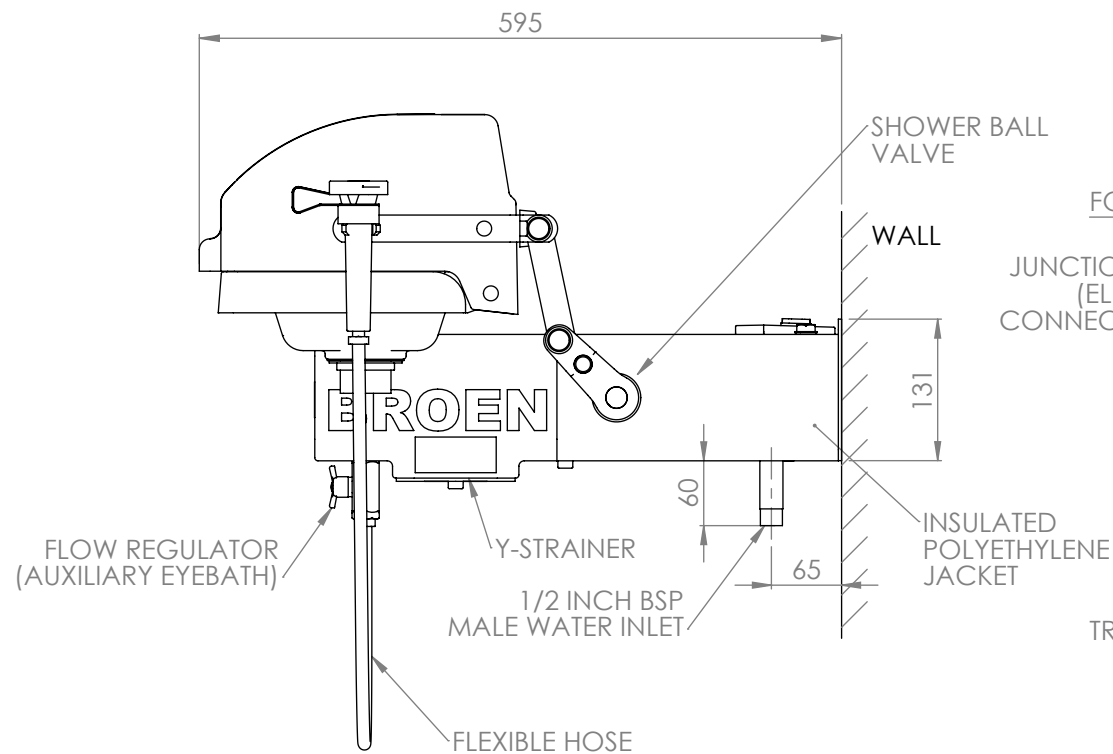


SERVICE HISTORY LABEL (SUPPLIED LOOSE) FOR WALL MOUNTING

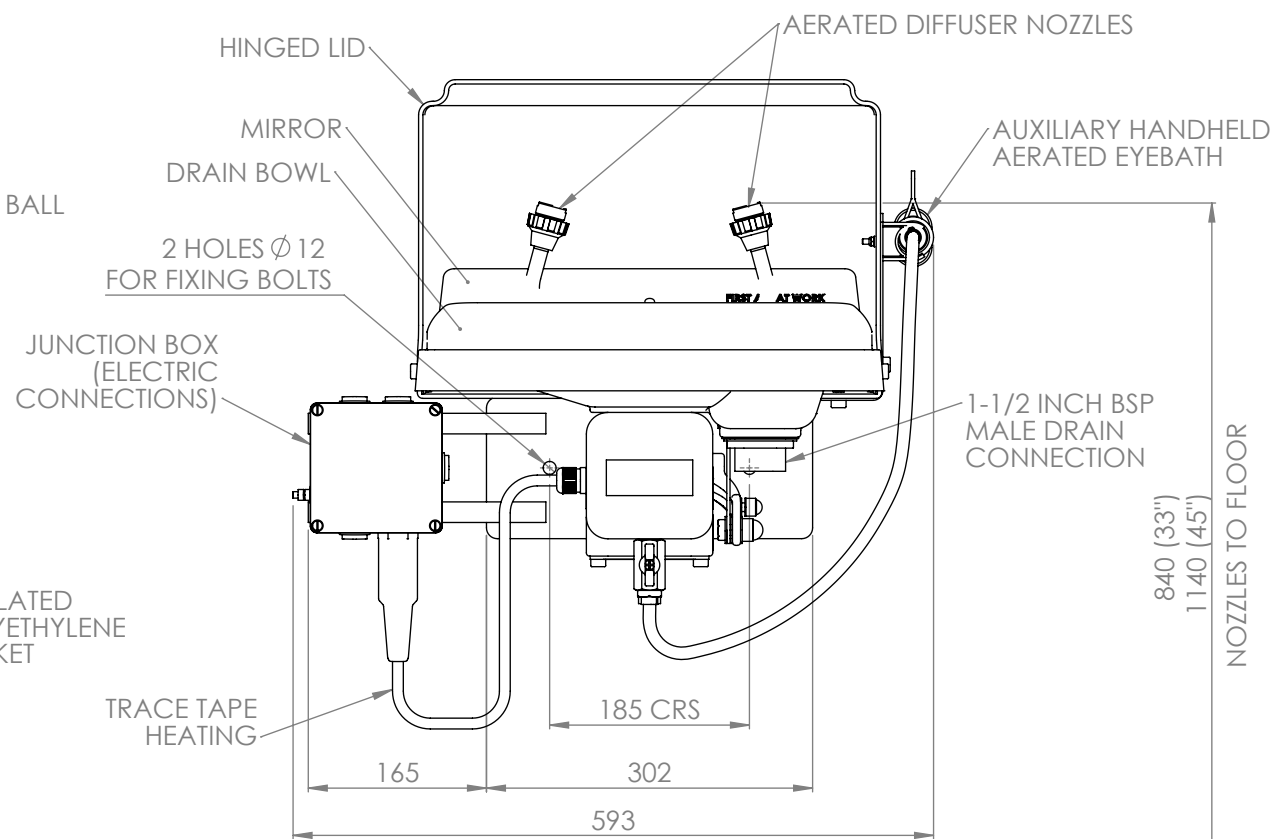
ISOMETRIC VIEW



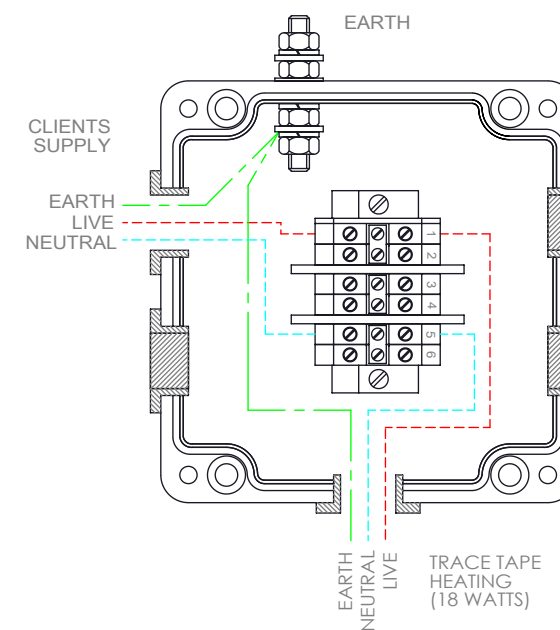
SIDE VIEW (LID CLOSED)



FRONT VIEW (LID OPEN)



WIRING DIAGRAM



MINIMUM WORKING TEMPERATURE: -20°C

BROEN

INTELLIGENT FLOW SOLUTIONS
BROEN A/S
Skovvej 30, DK-5610 Assens,
T: +45 6471 2095 F: +45 6471 2476
E: broen@broen.com W: www.broen.com

NAME	S.W.	DATE	18.12.13
CHECKED:	A.L.	DATE	20.01.14
APPROVED:	A.L.	DATE	20.01.14
MATERIAL:	STAINLESS STEEL		

DEBUR AND BREAK SHARP EDGES
DIMENSIONS ARE IN MILLIMETRES UNLESS SPECIFIED OTHERWISE
TOLERANCES: LINEAR: ANGULAR:
SCALE:1:7
DO NOT SCALE OFF DRAWING

TITLE:	FROST PROTECTED WALL MOUNTED EYEBATH/FACEWASH FOUNTAIN. SUITABLE FOR NON-FLAMEPROOF AREAS. SUPPLY VOLTAGE 230V, 50 OR 60 HZ.		
FINISH:	CLEAN	SHEET 1 OF 1	DWG NO. H7330011000211

REVISION	A
	A3